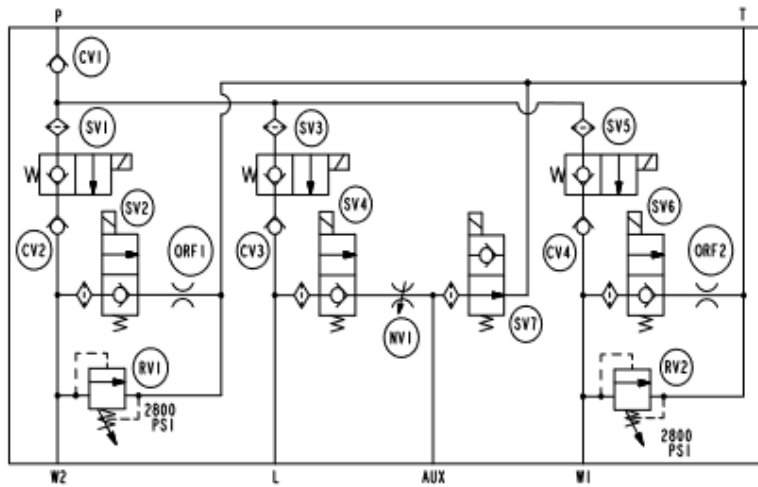
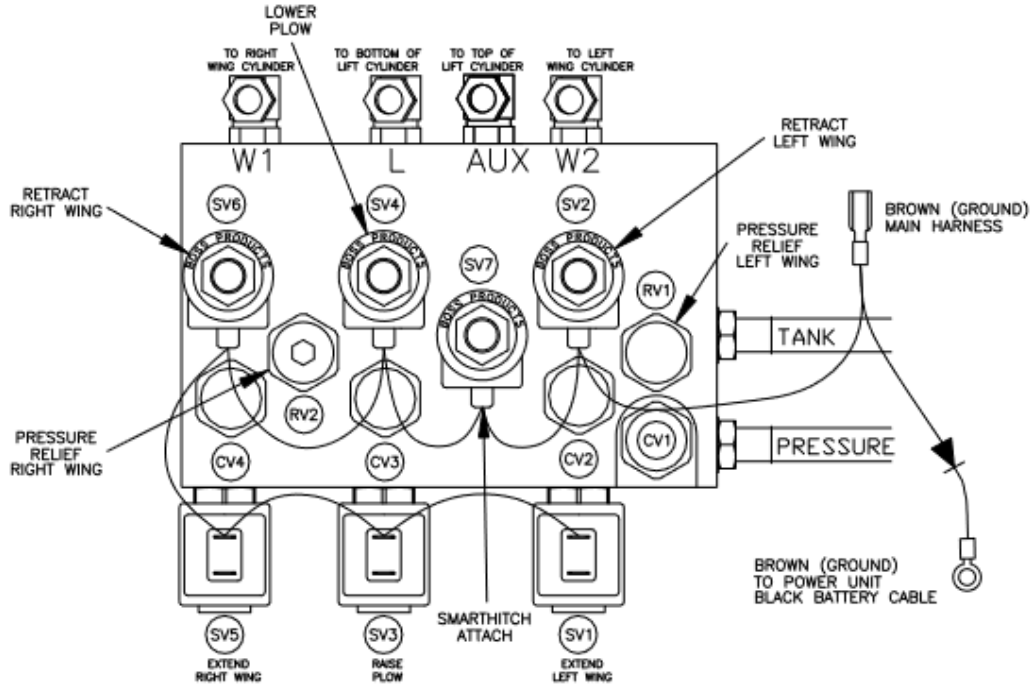


**HYD07092 Hydraulic Valve Assembly  
RT3 Power-V with SmartHitch™ (Clear)  
Blade Functions**



**HYD07092 Hydraulic Valve Assembly  
RT3 V-Blade with SmartHitch™ (Clear)  
Parts List**

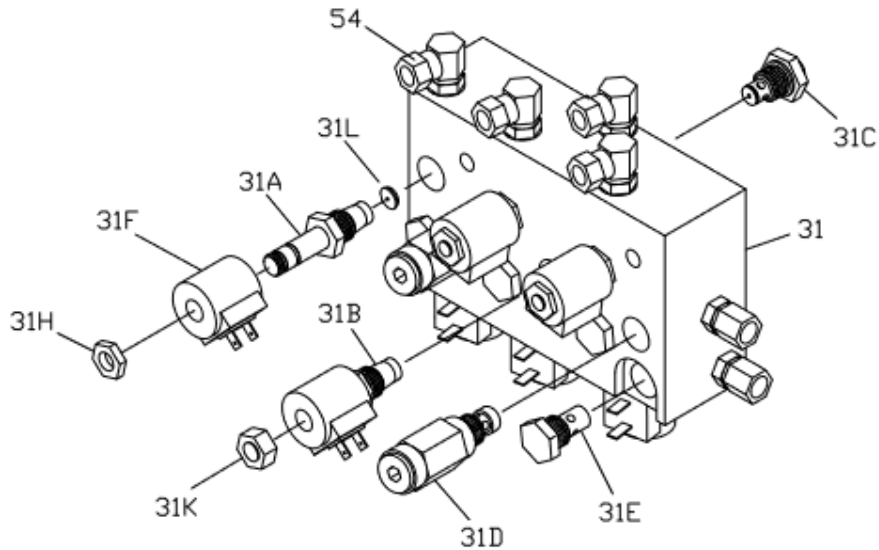


Figure 1. Hydraulic Valve Assembly Parts Breakdown

G10483

Reference Number	Description	Part Number	Qty
31	Valve Manifold, RT3 V-Blade w/ SmartHitch™	HYD07092	1
31A	Valve, Lift / Angle	HYD01637	6
31B	Valve, SmartHitch Attach	HYD07047	1
31C	Valve, Flow Control	HYD07048	1
31D	Valve, Relief V-Blade (2800psi)	HYD01639	2
31E	Valve, Check	HYD01640	4
31F	Valve Coil	HYD01638	7
31H	Coil Nut	HYD07059	6
31K	Coil Nut (SmartHitch™ Valve)	HYD07060	1
31L	Orifice Disc, .080" ID	HYD07108	2
54	Hydraulic Swivel Fitting	HYD01620	4
80	Ground Strap- V (not shown)	MSC08850	1